

**NEW!**

Handle included in delivery. Please check pressure rating of the pipe fittings!

For actuators and handles refer to "Attachments, accessories"

Stainless steel (material No.1.4571 - or other stainless steels)

Custom orders on request

Also available with most other connections

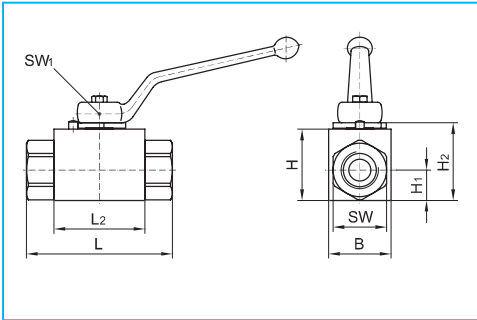
All dimensions subject to change without notice

Dimensions in mm

Weight in kg

Pressure in bar

Body:	stainless steel	stainless steel
Ball:	stainless steel	stainless steel
Stem:	stainless steel	stainless steel
Ball seals:	POM	PTFE-Comp.3
Stem seals:	FKM	FKM
Handle:	zinc, die cast	zinc, die cast
Stop plate:	steel, zinc plated	steel, zinc plated



Connection	DN	Thread D	OD	L	L1	L2	B	H	H1	SW	SW1	Handle Code	H2	Weight	DN	PN	Article-No.	PN	Article-No.
For cut (clamp) ring tube fitting DIN 2353 light series ISO 8434-1	4	M12 x 1,5	6	67	10	36	20	25	10,0	19	7	12	27,5	0,20	4	500	109400	315	109460
	6	M14 x 1,5	8	67	10	36	20	25	10,0	19	7	12	27,5	0,20	6	500	109401	315	109461
	8	M16 x 1,5	10	75	11	45	30	35	14,5	24	8	13	38,5	0,42	8	500	109402	315	109462
	10	M18 x 1,5	12	75	11	45	30	35	14,5	24	8	13	38,5	0,42	10	500	109403	315	109463
	12	M22 x 1,5	15	83	12	51	35	40	17,0	30	10	14	43,5	0,63	12	500	109404	315	109464
	16	M26 x 1,5	18	99	12	60	45	55	24,0	41	14	15	59,0	1,19	16	420	109405	250	109465
	20	M30 x 2	22	99	14	60	45	55	24,0	41	14	15	59,0	1,21	20	420	109406	250	109466
25	M36 x 2	28	108	14	70	55	60	26,0	50	14	15	64,0	1,75	25	420	109407	250	109467	
For cut (clamp) ring tube fittings DIN 2353 heavy series ISO 8434-1	4	M16 x 1,5	8	73	12	36	20	25	10,0	19	7	12	27,5	0,22	4	500	109408	315	109468
	6	M18 x 1,5	10	73	12	36	20	25	10,0	19	7	12	27,5	0,22	6	500	109409	315	109469
	8	M20 x 1,5	12	77	12	45	30	35	14,5	24	8	13	38,5	0,43	8	500	109410	315	109470
	10	M22 x 1,5	14	81	14	45	30	35	14,5	24	8	13	38,5	0,44	10	500	109411	315	109471
	12	M24 x 1,5	16	87	14	51	35	40	17,0	30	10	14	43,5	0,65	12	500	109412	315	109472
	16	M30 x 2	20	107	16	60	45	55	24,0	41	14	15	59,0	1,27	16	420	109413	250	109473
	20	M36 x 2	25	107	18	60	45	55	24,0	41	14	15	59,0	1,29	20	420	109414	250	109474
25	M42 x 2	30	120	20	70	55	60	26,0	50	14	15	64,0	1,88	25	420	109415	250	109475	
BSP-female thread DIN EN ISO 228-1	4	G 1/8	-	69	12	36	20	25	10,0	19	7	12	27,5	0,22	4	500	109416	315	109476
	6	G 1/4	-	69	12	36	20	25	10,0	19	7	12	27,5	0,21	6	500	109417	315	109477
	10	G 3/8	-	73	14	45	30	35	14,5	24	8	13	38,5	0,43	10	500	109418	315	109478
	12	G 1/2	-	82	15	51	35	40	17,0	30	10	14	43,5	0,67	12	500	109419	315	109479
	16	G 5/8	-	93	18	60	45	55	24,0	41	14	15	59,0	1,30	16	420	109420	250	109480
	20	G 3/4	-	93	18	60	45	55	24,0	41	14	15	59,0	1,28	20	420	109421	250	109481
25	G 1	-	115	18	70	55	60	26,0	50	14	15	64,0	1,97	25	420	109422	250	109482	
NPT-female thread ANSI/ASME B1.20.1-1983	4	1/8 - 27 NPT	-	69	6,9	36	20	25	10,0	19	7	12	27,5	0,22	4	500	109423	315	109483
	6	1/4 - 18 NPT	-	69	10,0	36	20	25	10,0	19	7	12	27,5	0,21	6	500	109424	315	109484
	10	3/8 - 18 NPT	-	73	10,3	45	30	35	14,5	24	8	13	38,5	0,43	10	500	109425	315	109485
	12	1/2 - 14 NPT	-	82	13,6	51	35	40	17,0	30	10	14	43,5	0,67	12	500	109426	315	109486
	20	3/4 - 14 NPT	-	93	14,1	60	45	55	24,0	41	14	15	59,0	1,28	20	420	109427	250	109487
	25	1 - 11 1/2 NPT	-	115	16,8	70	55	60	26,0	50	14	15	64,0	1,97	25	420	109428	250	109488



**NEW!**

Handle included in delivery. Please check pressure rating of the pipe fittings!

For actuators and handles refer to "Attachments, accessories"

Stainless steel (material No.1.4571 - or other stainless steels)

Custom orders on request

Also available with most other connections

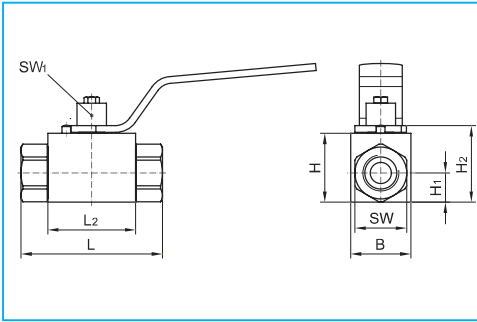
All dimensions subject to change without notice

Dimensions in mm

Weight in kg

Pressure in bar

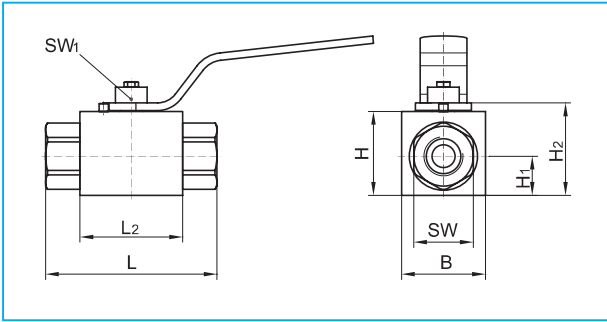
Body:	stainless steel	stainless steel
Ball:	stainless steel	stainless steel
Stem:	stainless steel	stainless steel
Ball seals:	POM	PTFE-Comp.3
Stem seals:	FKM	FKM
Handle:	stainless steel	stainless steel
Stop plate:	stainless steel	stainless steel



Connection	DN	Thread D	OD	L	L1	L2	B	H	H1	SW	SW1	Handle Code	H2	Weight	DN	PN	Article-No.	PN	Article-No.
For cut (clamp) ring tube fitting DIN 2353 light series ISO 8434-1	4	M12 x 1,5	6	67	10	36	20	25	10,0	19	7	32	29,5	0,20	4	500	109490	315	109430
	6	M14 x 1,5	8	67	10	36	20	25	10,0	19	7	32	29,5	0,20	6	500	109491	315	109431
	8	M16 x 1,5	10	75	11	45	30	35	14,5	24	8	33	39,5	0,42	8	500	109492	315	109432
	10	M18 x 1,5	12	75	11	45	30	35	14,5	24	8	33	39,5	0,42	10	500	109493	315	109433
	12	M22 x 1,5	15	83	12	51	35	40	17,0	30	10	34	44,5	0,63	12	500	109494	315	109434
	16	M26 x 1,5	18	99	12	60	45	55	24,0	41	14	35	60,5	1,19	16	420	109495	250	109435
	20	M30 x 2	22	99	14	60	45	55	24,0	41	14	35	60,5	1,21	20	420	109496	250	109436
25	M36 x 2	28	108	14	70	55	60	26,0	50	14	35	65,5	1,75	25	420	109497	250	109437	
For cut (clamp) ring tube fittings DIN 2353 heavy series ISO 8434-1	4	M16 x 1,5	8	73	12	36	20	25	10,0	19	7	32	29,5	0,22	4	500	109498	315	109438
	6	M18 x 1,5	10	73	12	36	20	25	10,0	19	7	32	29,5	0,22	6	500	109499	315	109439
	8	M20 x 1,5	12	77	12	45	30	35	14,5	24	8	33	39,5	0,43	8	500	109500	315	109440
	10	M22 x 1,5	14	81	14	45	30	35	14,5	24	8	33	39,5	0,44	10	500	109501	315	109441
	12	M24 x 1,5	16	87	14	51	35	40	17,0	30	10	34	44,5	0,65	12	500	109502	315	109442
	16	M30 x 2	20	107	16	60	45	55	24,0	41	14	35	60,5	1,27	16	420	109503	250	109443
	20	M36 x 2	25	107	18	60	45	55	24,0	41	14	35	60,5	1,29	20	420	109504	250	109444
25	M42 x 2	30	120	20	70	55	60	26,0	50	14	35	65,5	1,88	25	420	109505	250	109445	
BSP-female thread DIN EN ISO 228-1	4	G 1/8	-	69	12	36	20	25	10,0	19	7	32	29,5	0,22	4	500	700091	315	109446
	6	G 1/4	-	69	12	36	20	25	10,0	19	7	32	29,5	0,21	6	500	700092	315	109447
	10	G 3/8	-	73	14	45	30	35	14,5	24	8	33	39,5	0,43	10	500	700093	315	109448
	12	G 1/2	-	82	15	51	35	40	17,0	30	10	34	44,5	0,67	12	500	700094	315	109449
	16	G 5/8	-	93	18	60	45	55	24,0	41	14	35	60,5	1,30	16	420	700095	250	109450
	20	G 3/4	-	93	18	60	45	55	24,0	41	14	35	60,5	1,28	20	420	700096	250	109451
	25	G 1	-	115	18	70	55	60	26,0	50	14	35	65,5	1,97	25	420	700097	250	109452
NPT-female thread ANSI/ASME B1.20.1-1983	4	1/8 - 27 NPT	-	69	6,9	36	20	25	10,0	19	7	32	29,5	0,22	4	500	700100	315	109453
	6	1/4 - 18 NPT	-	69	10,0	36	20	25	10,0	19	7	32	29,5	0,21	6	500	700101	315	109454
	10	3/8 - 18 NPT	-	73	10,3	45	30	35	14,5	24	8	33	39,5	0,43	10	500	700102	315	109455
	12	1/2 - 14 NPT	-	82	13,6	51	35	40	17,0	30	10	34	44,5	0,67	12	500	700103	315	109456
	20	3/4 - 14 NPT	-	93	14,1	60	45	55	24,0	41	14	35	60,5	1,28	20	420	700104	250	109457
	25	1 - 11 1/2 NPT	-	115	16,8	70	55	60	26,0	50	14	35	65,5	1,97	25	420	700105	250	109458



Stainless steel · DN 4 - DN 25 · 630 bar



Handle included in delivery  
Please check pressure rating of the pipe fittings!  
For actuators and handles refer to "Attachments, accessories"  
Stainless steel (material no.1,4571 - or other stainless steels)  
Custom orders on request  
All dimensions subject to change without notice

Dimensions in mm  
Weight in kg  
Pressure in bar

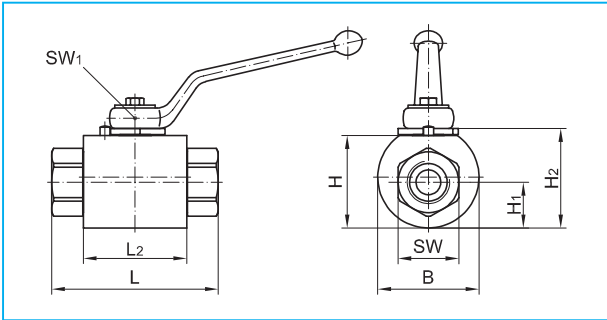
Body:	stainless steel
Ball:	stainless steel
Stem:	stainless steel
Ball seals:	PEEK
Stem seals:	FKM

Connection	DN	Thread D	OD	L	L <sub>1</sub>	L <sub>2</sub>	B	H	H <sub>1</sub>	H <sub>2</sub>	SW	SW <sub>1</sub>	Handle Code	Weight
For cut (clamp) ring tube fitting DIN 2353 light series ISO 8434-1	4	M12 x 1,5	6	73	10	41	30	30	13,7	34,5	22	7	32	0,38
	6	M14 x 1,5	8	73	10	41	30	30	13,7	34,5	22	7	32	0,41
	8	M16 x 1,5	10	87	11	53	40	40	18,0	44,5	30	8	33	0,82
	10	M18 x 1,5	12	87	11	53	40	40	18,0	44,5	30	8	33	0,82
	12	M22 x 1,5	15	91	12	55	45	45	21,0	49,5	32	10	34	1,03
	16	M26 x 1,5	18	101	12	65	65	65	31,0	70,5	46	14	35	2,45
For cut (clamp) ring tube fitting DIN 2353 heavy series ISO 8434-1	20	M30 x 2	22	105	14	65	65	65	31,0	70,5	46	14	35	2,50
	25	M36 x 2	28	112	14	71	75	75	38,0	80,5	50	14	35	3,07
	4	M16 x 1,5	8	76	12	41	30	30	13,7	34,5	22	7	32	0,40
	6	M18 x 1,5	10	76	12	41	30	30	13,7	34,5	22	7	32	0,40
	8	M20 x 1,5	12	89	12	53	40	40	18,0	44,5	30	8	33	0,85
	10	M22 x 1,5	14	93	14	53	40	40	18,0	44,5	30	8	33	0,85
BSP-female thread DIN EN ISO 228-1	12	M24 x 1,5	16	96	14	55	45	45	21,0	49,5	32	10	34	1,05
	16	M30 x 2	20	109	16	65	65	65	31,0	70,5	46	14	35	2,55
	20	M36 x 2	25	113	18	65	65	65	31,0	70,5	46	14	35	2,59
	25	M42 x 2	30	124	20	71	75	75	38,0	80,5	50	14	35	3,19
	4	G 1/8	-	69	11	41	30	30	13,7	34,5	22	7	32	0,42
	6	G 1/4	-	75	14	41	30	30	13,7	34,5	22	7	32	0,42
NPT-female thread ANSI/ASME B1.20.1-1983	10	G 3/8	-	86	14	53	40	40	18,0	44,5	30	8	33	0,89
	12	G 1/2	-	92	16	55	45	45	21,0	49,5	32	10	34	1,10
	16	G 5/8	-	111	19	65	65	65	31,0	70,5	46	14	35	2,64
	20	G 3/4	-	111	20	65	65	65	31,0	70,5	46	14	35	2,69
	25	G 1	-	122	22	71	75	75	38,0	80,5	50	14	35	3,31
	4	1/8 - 27 NPT	-	82	6,9	41	30	30	13,7	34,5	22	7	32	0,44
6	1/4 - 18 NPT	-	82	10,0	41	30	30	13,7	34,5	22	7	32	0,44	
10	3/8 - 18 NPT	-	95	10,3	53	40	40	18,0	44,5	30	8	33	0,95	
12	1/2 - 14 NPT	-	108	13,6	55	45	45	21,0	49,5	32	10	34	1,19	
20	3/4 - 14 NPT	-	111	14,1	65	65	65	31,0	70,5	46	14	35	2,69	
25	1 - 11 1/2 NPT	-	122	16,8	71	75	75	38,0	80,5	50	14	35	3,31	

DN	PN	Article-No.
4	630	101 309
6	630	101 310
8	630	101 311
10	630	101 312
12	630	101 313
16	630	109 124
20	630	109 102
25	630	109 103
4	630	101 317
6	630	101 318
8	630	101 319
10	630	101 320
12	630	101 321
16	630	109 168
20	630	109 105
25	630	109 106
4	630	101 325
6	630	101 326
10	630	101 327
12	630	101 328
16	630	109 172
20	630	109 108
25	630	109 109
4	630	101 332
6	630	101 333
10	630	101 334
12	630	101 335
20	630	109 111
25	630	109 112



Steel/Stainless steel · DN 4 - DN 25 · 840 bar



**Note: Use only with fluid media!**

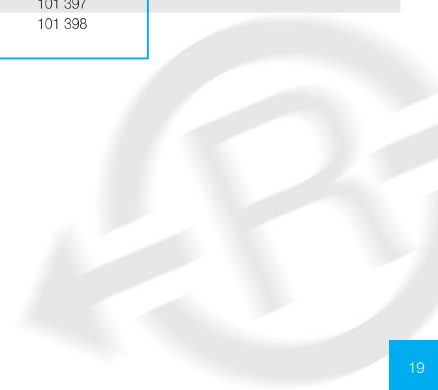
Handle included in delivery  
Please check pressure rating of the pipe fittings!  
For actuators and handles refer to "Attachments, accessories"  
Custom orders on request  
Also available with most other connections  
All dimensions subject to change without notice  
Dimensions in mm  
Weight in kg  
Pressure in bar

**NEW!**

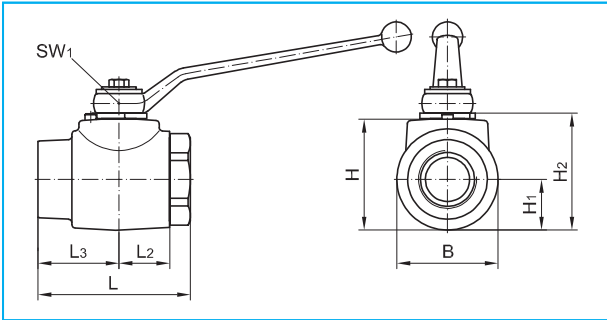


Body:	steel, black oxide	stainless steel
Ball:	steel, hard chrome plated	stainless steel
Stem:	steel, zinc plated	stainless steel
Ball seals:	PEEK	PEEK
Stem seals:	NBR	NBR

Connection	DN	Thread D	OD	L	L <sub>1</sub>	L <sub>2</sub>	B	H	H <sub>1</sub>	H <sub>2</sub>	SW	SW <sub>1</sub>	Handle Code	Weight	DN	PN	Article-No.	PN	Article-No.
For cut (clamp) ring tube fittings DIN 2353 heavy series ISO 8434-1	4	M16 x 1,5	8	114	12	67	65	62,5	30	66	41	10	19	1,84	4	840	101 338	840	101 380
	6	M18 x 1,5	10	114	12	67	65	62,5	30	66	41	10	19	1,86	6	840	101 339	840	101 381
	8	M20 x 1,5	12	114	12	67	65	62,5	30	66	41	10	19	1,89	8	840	101 340	840	101 382
	10	M22 x 1,5	14	118	14	67	65	62,5	30	66	41	10	19	1,96	10	840	101 341	840	101 383
	12	M24 x 1,5	16	118	14	67	65	62,5	30	66	41	10	19	1,98	12	840	101 342	840	101 384
	20	M36 x 2	25	156	18	90	108	102,0	51	106	70	14	20	6,60	20	840	101 343	840	101 385
	25	M42 x 2	30	160	20	90	108	102,0	51	106	70	14	20	6,60	25	840	101 344	840	101 386
BSP-female thread DIN EN ISO 228-1	4	G 1/8	-	90	11	67	65	62,5	30	66	41	10	19	1,82	4	840	101 345	840	101 387
	6	G 1/4	-	90	15	67	65	62,5	30	66	41	10	19	1,82	6	840	101 346	840	101 388
	10	G 3/8	-	90	15	67	65	62,5	30	66	41	10	19	1,84	10	840	101 347	840	101 389
	12	G 1/2	-	90	17	67	65	62,5	30	66	41	10	19	1,90	12	840	101 348	840	101 390
	20	G 3/4	-	120	19	90	108	102,0	51	106	70	14	20	6,50	20	840	101 349	840	101 391
	25	G 1	-	120	21	90	108	102,0	51	106	70	14	20	6,50	25	840	101 350	840	101 392
NPT-female thread ANSI/ASME B1.20.1-1983	4	1/8 - 27 NPT	-	90	6,9	67	65	62,5	30	66	41	10	19	1,82	4	840	101 351	840	101 393
	6	1/4 - 18 NPT	-	90	10,0	67	65	62,5	30	66	41	10	19	1,82	6	840	101 352	840	101 394
	10	3/8 - 18 NPT	-	90	10,3	67	65	62,5	30	66	41	10	19	1,84	10	840	101 353	840	101 395
	12	1/2 - 14 NPT	-	90	13,6	67	65	62,5	30	66	41	10	19	1,90	12	840	101 354	840	101 396
	20	3/4 - 14 NPT	-	120	14,1	90	108	102,0	51	106	70	14	20	6,50	20	840	101 355	840	101 397
	25	1 - 11 1/2 NPT	-	120	16,8	90	108	102,0	51	106	70	14	20	6,50	25	840	101 356	840	101 398



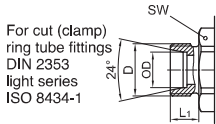
**NEW!**



Handle included in delivery.  
Please check pressure rating of the pipe fittings!  
For actuators and handles refer to "Attachments, accessories"  
Stainless steel (material No.1,4571 - or other stainless steels)  
Custom orders on request  
All dimensions subject to change without notice

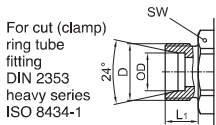
Dimensions in mm  
Weight in kg  
Pressure in bar

Connection      DN    Thread      OD    L    L<sub>1</sub>    L<sub>2</sub>    L<sub>3</sub>    B    H    H<sub>1</sub>    H<sub>2</sub>    SW    SW<sub>1</sub>    Handle Code    Weight



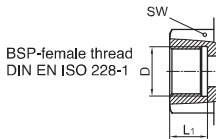
For cut (clamp)  
ring tube fittings  
DIN 2353  
light series  
ISO 8434-1

32	M45 x 2	35	121	16	36,5	58,5	73	80	36,5	84,5	60	17	37	2,59
40	M52 x 2	42	118	16	40,0	52,5	85	90	42,5	94,5	75	17	37	3,24



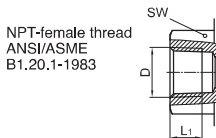
For cut (clamp)  
ring tube  
fitting  
DIN 2353  
heavy series  
ISO 8434-1

32	M52 x 2	38	127	22	36,5	58,2	73	80	36,5	84,5	60	17	37	2,73
----	---------	----	-----	----	------	------	----	----	------	------	----	----	----	------



BSP-female thread  
DIN EN ISO 228-1

32	G 1 1/4	-	110	24,0	36,5	58,5	73	80	36,5	84,5	60	17	37	3,07
40	G 1 1/2	-	114	26,0	40,0	57,0	85	90	42,5	94,5	75	17	37	3,96
50	G 2	-	129	27,5	48,0	65,0	99	104	49,5	108,5	85	17	38	5,02



NPT-female thread  
ANSI/ASME  
B1.20.1-1983

32	1 1/4 - 1 1/2 NPT	-	110	17,3	36,5	58,5	73	80	36,5	84,5	60	17	37	3,46
40	1 1/2 - 1 1/2 NPT	-	114	17,3	40,0	57,0	85	90	42,5	94,5	75	17	37	3,96
50	2 - 1 1/2 NPT	-	129	17,7	48,0	65,0	99	104	49,5	108,5	85	17	38	5,28

DN      PN    Article-No.      PN    Article-No.      PN    Article-No.      PN    Article-No.

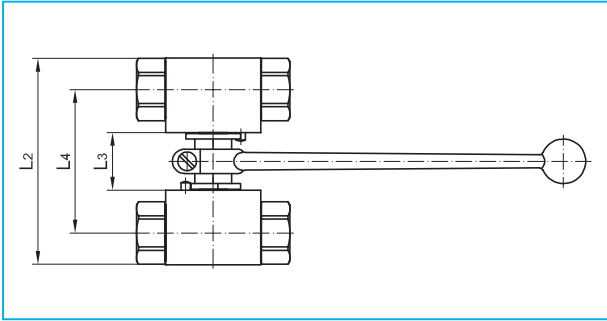
32	420	109 364	420	109 373	100	109 382	100	109 391
40	420	109 365	420	109 374	100	109 383	100	109 392

32	420	109 366	420	109 375	100	109 384	100	109 393
----	-----	---------	-----	---------	-----	---------	-----	---------

32	420	109 367	420	109 376	100	109 385	100	109 394
40	420	109 368	420	109 377	100	109 386	100	109 395
50	420	109 369	420	109 378	100	109 387	100	109 396

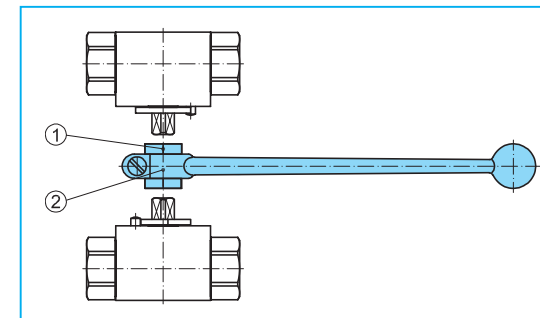
32	420	109 370	420	109 379	100	109 388	100	109 397
40	420	109 371	420	109 380	100	109 389	100	109 398
50	420	109 372	420	109 381	100	109 390	100	109 399

Steel or stainless steel · as combination · DN 4 - DN 50



Mounting sets are identical in design for multi-way ball valves with floating ball.  
For dimensions and article numbers for ball valve bodies refer to the respective chapter.  
Custom orders on request  
All dimensions subject to change without notice  
Dimensions in mm  
**Also available completely assembled**

Connection	DN	Steel			Stainless steel (standard)			Stainless steel (630 bar)			Mounting sets DN	Steel	Stainless steel
		L2	L3	L4	L2	L3	L4	L2	L3	L4		Article-No.	Article-No.
ALL	4	67	17	47	67	17	47	77	17	49,6	4	100 780	100 849
	6	67	17	47	67	17	47	77	17	49,6	6	100 780	100 849
	8	94	24	65	94	24	65	104	24	68,0	8	100 781	100 850
	10	94	24	65	94	24	65	104	24	68,0	10	100 781	100 850
	12	111	31	77	111	31	77	121	31	79,0	12	100 782	100 851
	16	121	31	81	150	40	102	170	40	108,0	16	100 782	100 852
	20	150	40	102	150	40	102	170	40	108,0	20	100 784	100 852
	25	160	40	108	160	40	108	190	40	114,0	25	100 784	100 852
	32	203	43	130	203	43	130	-	-	-	32	100 785	100 803
	40	223	43	138	223	43	138	-	-	-	40	100 785	100 803
	50	251	43	152	251	43	152	-	-	-	50	100 785	100 803



Combination consisting of:  
two ball valves (without handle)  
and one mounting set

Mounting set consisting of  
① Square coupling (1 pc.)  
② Handle (1 pc.)

